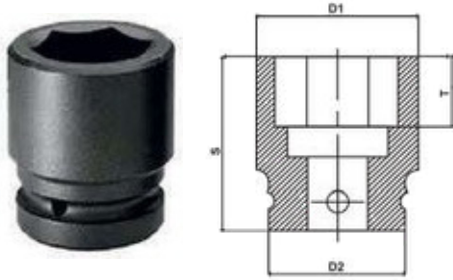
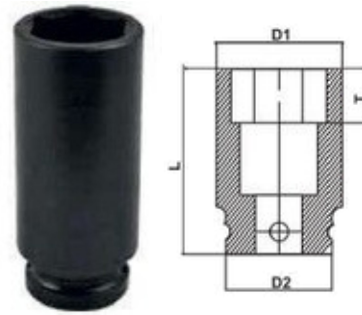


6 POINTS IMPACT SOCKETS



Standard Socket



Deep Socket

Model No.	Square Drive	Nut A/F (inch)	Nut A/F (mm)	D1	D2	S	T	L
HT424	3/4"	3/4"	-	21	44	44	23	90
HT427	3/4"	-	-	27	41	44	23	90
HT428	3/4"	1.1/16"	27	41	44	48	23	90
HT430	3/4"	-	30	44	44	52	24	90
HT431F	3/4"	1.1/4	-	36	44	52	24	90
HT432	3/4"	-	32	49	44	52	26	90
HT436	3/4"	-	36		44	52	28	90
HT436F	3/4"	1.7/16	-	52	44	56	28	90
HT441	3/4"	-	41	57	44	59	36	90
HT441F	3/4"	1.5/8	-	57	44	59	36	90
HT446	3/4"	-	46	67	44	64	37	90
HT446F	3/4"	1.13/16	-	67	44	64	36	90
HT450	3/4"	-	50	70	54	64	37	90
HT451F	3/4"	2	-	73	54	67	39	90
HT455	3/4"	-	55	78	54	67	41	94
HT455F	3/4"	2.3/16	-	78	54	71	41	94
HT460	3/4"	-	60	82	52	72	45	95
HT460F	3/4"	2.3/8	-	82	54	75	45	98
HTS24	1"	-	24	42	54	55	21	100
HTS27	1"	-	27	46	54	55	23	100
HTS27F	1"	1.1/16	-	46	54	55	23	100
HTS30	1"	-	30	50	54	55	24	100
HTS31F	1"	1.1/4	-	51	54	57	24	100
HTS32	1"	-	32	51	54	57	24	100
HTS36	1"	-	36	54	54	60	28	100
HTS36F	1"	1.7/16	-	54	54	60	28	100
HTS41	1"	-	41	63	54	64	36	100
HTS41F	1"	1.5/8	-	63	54	64	36	100
HTS46	1"	-	46	70	54	64	39	100
HTS46F	1"	1.13/16	-	70	54	69	36	100
HTS50	1"	-	50	73	54	72	36	100
HTS51F	1"	2	-	73	54	69	41	100
HTS55	1"	-	55	82	54	76	41	105
HTS55F	1"	2.3/16	-	82	54	80	41	105
HTS60	1"	-	60	86	54	82	45	105
HTS60F	1"	2.3/8	-	88	54	82	45	112
HTS65	1"	-	65	92	54	85	46	118
HTS65F	1"	2.9/16	-	92	54	85	46	118
HTS70	1"	-	70	96	54	88	50	124
HTS70F	1"	2.3/4	-	96	54	88	50	124
HTS75	1"	-	75	100	86	92	57	124
HTS75F	1"	2.15/16	-	100	86	92	57	124
HTS79F	1"	3.1/8	-	105	86	97	57	132
HTS80	1"	-	80	105	86	96	57	132
HTS85	1"	-	85	115	86	100	62	132
HTS88F	1"	3.1/2	-	121	86	102	62	140
HTS90	1"	-	90	127	86	104	62	140
HTS95	1"	-	95	135	86	106	62	140
HTS97F	1"	3.7/8	-	135	86			140

Model No.	Square Drive	Nut A/F (inch)	Nut A/F (mm)	D1	D2	S	T	L
HTS100	1"	-	100	135	86	112	52	143
HT641	1.1/2"	1.13/16	36	34	86	86	28	130
HT641	1.1/2"	-2	-41	69	86	83	30	130
HT646F	1.1/2"	2.3/16	50	75	86	86	32	130
HT646F	1.1/2"	2.9/16	55	81	86	86	36	130
HT651F	1.1/2"	2.3/4	60	81	86	90	39	130
HT655F	1.1/2"	2.15/16		65	85	86	90	41
HT655F	1.1/2"	-3.1/8	-70	88	86	89	45	140
HT660	1.1/2"		-75	95	86	95	45	140
HT660F	1.1/2"	-3.7/8-	-80	96	86	98	45	140
HT665F	1.1/2"	4.1/4	85	102	86	102	50	140
HT670	1.1/2"	3.1/8-	-90	102	86	102	50	140
HT670F	1.1/2"	-3.1/8-	-100	108	86	102	57	150
HT675	1.1/2"		-116	86	108	57	150	
HT675F	1.1/2"	4.1/2 5	105	116	86	108	62	150
HT680	1.1/2"	-5.3/8-		116	86	110	62	150
HT680F	1.1/2"	5.3/4	110	120	86	110	62	150
HT685	1.1/2"	6.1/8	115	128	86	115	62	150
HT690	1.1/2"	6.1/2		130	125	118	65	170
HT690F	1.1/2"	6.7/8	-85	135	125	118	65	170
HT695	1.1/2"	-	90	140	125	123	75	170
HT6100	1.1/2"	-	-95	140	125	123	75	170
HT6105	1.1/2"	-	-100	148	125	128	80	180
HT6105	1.1/2"	-	-105	155	125	133	80	190
HT6110	1.1/2"	-	-110	161	150	138	85	200
HT6110	1.1/2"	-	-115	161	150	138	85	200
HT6120F	1.1/2"	-	-130	175	150	149	94	200
HT780F	2.1/2"	-	-145	135	125	140	62	190
HT780F	2.1/2"	-	-	145	125	140	65	190
HT790	2.1/2"	-	-	145	125	140	65	190
HT795	2.1/2"	-	-	155	125	150	70	190
HT795F	2.1/2"	-	-	155	125	150	70	190
HT7100	2.1/2"	-	-	155	125	150	80	200
HT7105	2.1/2"	-	-	165	150	160	80	200
HT7110	2.1/2"	-	-	165	150	160	80	210
HT7115F	2.1/2"	-	-	175	150	170	80	210
HT7125F	2.1/2"	-	-	195	150	175	90	220
HT7130	2.1/2"	-	-	195	175	102	102	220
HT7135F	2.1/2"	-	-	205	180	180	105	220
HT7145	2.1/2"	-	-	220	150	180	105	230
HT7145F	2.1/2"	-	-	220	180	180	110	230
HT7155F	2.1/2"	-	-	230	180	180	110	250
HT7165F	2.1/2"	-	240	240	180	200	110	-
HT7175F	2.1/2"	-	255	255	180	200	120	-